

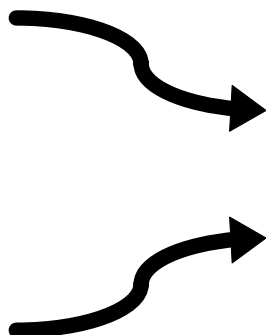
'DIN RAIL' RADIO REMOTE CONTROL



200 Transmitter



204 Transmitters



210 Receiver



215 Relay O/P



216 Relay O/P

- Upto 16 Output Channels, Modular Design,
- Outputs can be
 - Momentary
 - Latching
 - Timed (up to 15 mins.)
 - Dimming
- 12 / 24Vdc Supply
- LED Indication of each channel.
- Easy Configuration of any transmitter switch to any output channel
- Range;
 - 433MHz Upto 200 Metres
 - 458MHz Upto 4,000 Metres
- Up to 48 Transmitters per system
- This flexible Radio Remote control system may be constructed by simply plugging together the desired modules.
- The transmitters are supplied as either a hand held fob or DIN Rail mounting Telemetry Module.
- The 210Rx Module performs the RF reception and decoding. It has 16 outputs.
- Any combination of the Output Modules below may be connected to the 210Rx module to utilise the full 16 outputs.
- Output module 215 provides 8 relay outputs rate 3A at 230Vac
- Output module 216 provides 4 relay outputs rate 5A (12Apk) at 230Vac
- Output Module 217 module provides 4 phase controlled outputs rated 230V at 250W each. (for dimming lighting circuits etc).



'DIN RAIL' RADIO REMOTE CONTROL

- Requires no Radio License

Transmitter Encoders

200 DIN Rail Transmitter

- 8 Input Channels controlling up to 15 outputs
- Volt Free contact Inputs via Screw Terminals
- 12 / 24Vdc Supply
- Range;
 - 433MHz Upto 200 Metres
 - 458MHz Upto 4,000 Metres
- High Security RF Protocol
- Auto Transmit Mode
- Automatic Watchdog Transmission



204 Hand Held Transmitter

- Pocket Fob with Wall Mounting Holster
- 4, 8 And 16 Switch Versions
- Range : 433 MHz, up to 100 Metres
- Miniature enclosure 96 x 47 x 23
- Two 3V Lithium Cells (CR2016)
- LED Indication of Transmission
- Custom Overlays available



206 Series Encoders (Future Product)

- Pocket Fob with Wall Mounting Holster
- 4, 8 And 16 Switch Options Planned
- Range;
 - 433 MHz, up to 200 Metres
- Miniature enclosure 140 x 63 x 32
- LED Indication of Transmission
- Single PP3 Battery



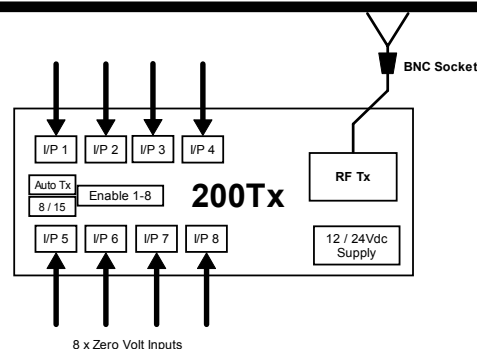
Part Number	Description	Freq (MHz)	Range** (Metres)
204-433FR1	FM Transmitter 16 Channels	433.92	100

200 Series Transmitter Module



'DIN RAIL' RADIO REMOTE CONTROL

- 8 Zero Volt Inputs controlling up to 15 outputs
- LED Indication of transmission
- Auto Refresh Mode
- 'Watchdog' Mode
- Requires no Radio License



Description

This is a simple to use radio transmitter module which can accept 8 pairs of 'Volt Free' contacts as inputs via screw terminals. When a contact closure occurs, the 200Tx transmitter will transmit the a data packet over the RF link to an associated 210Rx receiver (that has been learnt to the 200Tx). The 200Tx module continually monitors the status of its 'inputs'. Whenever a change of state is seen on any input the 200Tx module will transmit the status of all inputs.

Enable Jumper Links (1-8)

The 200Tx has eight 'Enable' Jumper links which must be fitted in order for the corresponding input to be valid (otherwise the 200Tx will ignore it). This enables applications where many 200Tx transmitters are used with a single 210Rx (many to one relationship)

Operating the 210Rx with a '200 series Transmitter

Each 200Tx has a unique identity (factory set) which must be learnt by the 210Rx.

The 200Tx has 8 inputs which are automatically mapped to the 210Rx as either outputs 1-8 or 9-15 according to the OPT3 jumper link on the 200Tx.as below

200Tx Jumper Link OPT3	210Rx output Channels
Open	1 – 8
Connected	9 – 15

Auto Transmit with Watchdog Mode 'Auto Tx' (OPT1)

When this link is made, a system 'watchdog' is provided. Channel 16 is used as the watchdog channel which 'releases' if the 210Rx is unable to receive a 200Tx transmitter signal.

With the auto transmit mode jumper in place, the 200Tx module will automatically transmit the status of all enabled inputs (with a small random time delay). This transmission update is in addition to transmission caused by a change of state of any inputs.

The 210Rx watchdog channel 16 relay output is continually operated 'ON', as long as it receives a transmitted signal, if the signal is not received for a period of 10 seconds (e.g. when there is radio interference) then the relay output drops out. The relay automatically recovers on valid signal again. (Therefore channel 16 cannot be used as a standard telemetry channel in this mode)

License Exemption

The transmitter encoders use EMC compliant radio transmitter modules and complies with ETSI330-220.



'DIN RAIL' RADIO REMOTE CONTROL

Connecting an Antenna

The 210Rx has a 300mm flying lead cable (50ohm) with a panel mount BNC socket provided to mount on an enclosure. This cable may be extended however please note that typically there is a 50% range reduction with every 3metres of coax cable used!

For increasing range performance a +3dB gain antenna is available. This is supplied with wall mounting bracket and 2metres of coax cable, it plugs in directly to the 210Rx BNC connector.

Technical Specifications

Dimensions: Within DIN Rail : 112 x 77 mm (PCB: 109 x 72mm)

Storage Temperature; -10 to +70° Celsius. Operating Temperature; 0 to +55° Celsius.

Electrical Characteristics	Min	Typical	Max	Units
Supply Voltage: 12V Supply	10	12	16	V
Supply Voltage: 24V Supply	21	24	30	V
Supply Current : 433MHz version 458MHz version	150	10 170	200	mA
Antenna Output Lead		50		ohms

Ordering Information

Part Number	Description	Freq (MHz)	Range** (Metres)	Compatible Decoders
200-433FR1	FM Transmitter 8 inputs	433.92	200	210-433F Series
200-458FR1	FM Transmitter 8 inputs	458.850	4,000	210-458F Series

** Range stated is optimum, direct line of sight. In worst conditions this can be reduced by upto 50%



'DIN RAIL' RADIO REMOTE CONTROL

Receiver Decoders

210 Receiver Module

- RF Receiver & Decoder
- 16 Digital Outputs
- Timed Outputs
- Easy Learn Function

215 8 Relay Module

- 8 Relay Outputs rated 3A @230Vac
- Connects Directly to 210 Module
- No other Connections Required

216 4 Relay Module

- 4 Relay Outputs rated 5A @230Vac
- Connects Directly to 210 Module
- No other Connections Required

217 Dimming Module

- 4 Channel Phase Controlled Dimming Outputs
- Connects Directly to 210 Module

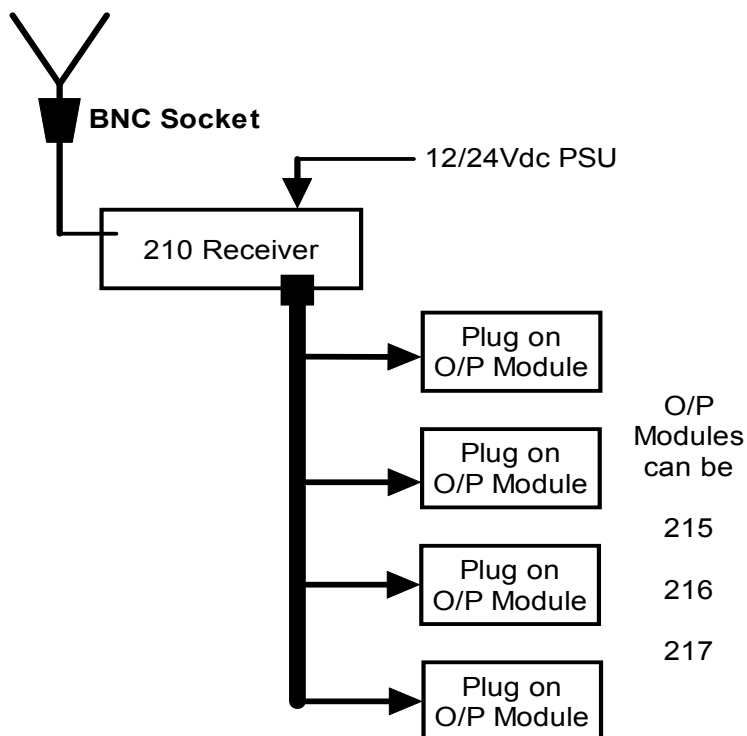
Description

The 210Rx module performs the RF reception and decoding. It has 16 available outputs arranged as 4 x 4 easy plug in connectors.

From these connectors any one or combination of output modules may be connected (connecting leads supplied) to use some or all of the 16 available outputs.

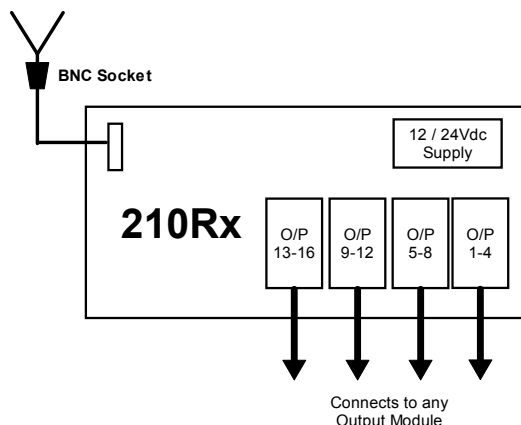
The only power required by the system is applied to the 210Rx module. Each of the output modules obtains power from the 210 connection internally.

A 110-240 Vac Power supply is available as a separate item along with enclosures for the receiver decoder modules.



'DIN RAIL' RADIO REMOTE CONTROL

'210' Series Receiver Decoder



Description

This DIN rail module performs the radio reception and decoding. It has four output connectors each with four digital outputs and displays the output status on LED's 1 – 16. DIN rail 'Output' modules plug in to connectors marked 1-4 (connecting cable supplied with output module).

Connector	O/P Channels
1	1 - 4
2	5 – 8
3	9 – 12
4	13 – 16

Initial Configuration of the 210Rx

On initial use the 210Rx must be configured to operate with either the 204 handset transmitter (remote control applications) or the 200 DIN rail transmitter (remote telemetry applications).

1. Ensure option link J8 is open
2. On initially powering up the 210RX the output LEDS flash alternately. The 210Rx is now in configuration mode.
3. The user must operate the transmitter to be used by either;
 - 204 Transmitter: briefly press any switch
 - 200 Transmitter: input activated by shorting any input terminal.
4. The 210Rx receives the transmitter signal and automatically configures itself for use to operate with that type of transmitter and will ignore other types.
 - 204 Transmitter: LED1 flashes 5 times
 - 200 Transmitter: LED2 flashes 5 times
5. Configuration is now complete and now the transmitter unit can be learned to the receiver.

Each time power is applied the 210Rx will now show the mode it is configured to for the first 5 seconds.

LED	Configured for
1	204 Handsets (remote Control)
2	200Tx (remote Telemetry)

In the event that no configuration has taken place then on power up LED's 1-16 will flash alternately.



'DIN RAIL' RADIO REMOTE CONTROL

Operating the 210 Rx with a '204 series' transmitter.

Each 210 Rx can 'learn' up to 48 transmitter encoders. During the learn process the receiver learns the encoder's unique identity code, and the individual switch number.

This enables a single transmitter switch to operate one or more receiver outputs. This allows many different transmitters to control one receiver output and also one transmitter button to control many 210 Rx outputs. (The only limitation being maximum 48 transmitters to a single receiver)

To learn a Transmitter Switch to a Receiver Output;

1. Decide which switch on the Transmitter is to operate which output channel on the 210 Receiver decoder.
2. Select the 210Rx output channel by briefly pressing the 210 Rx learn switch (All LEDs flash briefly) until the desired channel is selected (1 thro 16). The 210 Rx LED indicates the currently selected output channel.
3. Operate the desired transmitter switch briefly and the channel LED on the 210Rx will extinguish.
4. Depress the transmitter switch again and the channel LED on the 210Rx will turn on briefly and then extinguish.
5. The learn process is now complete and the selected transmitter switch will now control the associated channel.

E.G. To learn buttons 1 & 2 of the 204 Tx to outputs 1 and 2 of the 210Rx.

- *Depress and release the learn button S1.*
- *All the 210Rx output LEDs flash once and LED1 will illuminate.*
- *Depress and release Button 1 of the of the 204Tx.*
- *Output Led1 of the 210Rx will extinguish.*
- *Depress and release Button 1 of the 204Tx again.*
- *Output Led1 of the 210Rx will illuminate for 1s and then extinguish.*

Button 1 of the 204Tx has now been successfully taught to output 1 of the 210Rx.

- *Depress and release the learn button S1 again.*
- *All the 210Rx output LEDs flash once and LED1 will illuminate.*
- *Depress and release the learn button S1 again.*
- *LED2 will now illuminate.*
- *Depress and release Button 2 of the of the 204Tx.*
- *Output Led2 of the 210Rx will extinguish.*
- *Depress and release Button 2 of the 204Tx again.*
- *Output Led2 of the 210Rx will illuminate for 1s and then extinguish.*

Button 2 of the 204Tx has now been successfully taught to output 1 of the 210Rx.

Follow this procedure to learn all buttons of the 204Tx to all outputs of the 210Rx



'DIN RAIL' RADIO REMOTE CONTROL

Erasing the 210Rx Receiver Decoder's Memory

1. To completely erase the 210Rx decoder's memory, press and hold the 210Rx learn switch. The learn LED will illuminate when the switch is first pressed
2. After a period of 10 seconds the learn LED will turn off. Release the learn button and all the output LEDs will now flash alternately to indicate that all encoder data has been erased.

Note: It is not possible to erase individual transmitters.

Configuration of the Outputs

Links J1-16 configure the operation of the outputs according to the table below. Note that the link status is read only on power up and thus after changing the links, power must be removed and re-applied for the new status to be identified.

J1 – 16	O/P 1 – 3	O/P 4 -16
Open	Mom or Timed	Mom (The relay operates for as long as the transmitter switch is held on)
Connected	Latch or Timed	Latch (The relay operates until the Transmitter is operated again)

Timed Outputs (O/P1-3)

When the system is configured with 204 Transmitter encoders these outputs can provide variable timed outputs controlled by VR1-3 with an adjustable delay of from zero to 15 minutes.

Setting the Timed outputs on O/P1-3 (for use with a 204Tx only).

1. Remove power.
2. Place a shorting link header on J8.
3. Apply power and the output LEDs will operate alternately 1 –16 and then repeat.
4. Depress and release the learn button twice.
5. The 210Rx will then enter the time set mode where the timing pots for channels 1, 2 and 3 can be set. Initially LED1 will illuminate. This is to indicate that output 1 timer is to be set. Pressing the learn switch will allow the user to cycle through the three timed outputs. The illuminated LED (1,2 or 3) indicates which channel is being set up.
6. Using a fine screwdriver, adjust potentiometer VR1 for OP1, VR2 for OP2 and VR3 for OP3 .
7. When setting VR1-3, LED's 9-15 give an indication of the % of time delay set (as a bargraph display). If no time delay is required then set all LED's off. For maximum delay set all 7 LED's (9-15) to on.

Operating the 210Rx with a '200 series' Transmitter

Each 210Rx can learn up to 48, 200Tx encoders and during the learn process the receiver learns the encoder's unique identity code. **Each Transmitter/encoder input has an associated 'enable' option link which must be fitted for that input to operate.**

To learn a new 200Tx encoder follow this procedure;

Before learning check the following on the 200Tx

1. On the 200Tx, configure the OPT3 '8/15' link. This link maps the 200Tx inputs to the 210Rx outputs. 1-8 with link removed, or 9-15 with link in place.
2. On the 200Tx unit, remove the Link header 'OPT1' (auto Tx). (This prevents automatic transmission during the learn process).
3. On the 200Tx unit, place an enable link on any one of the enable link positions.
4. Briefly press the 210Rx Learn Switch: Note that the 210Rx Learn LED will flash.
5. Wait for the 210Rx LED to stop flashing.





'DIN RAIL' RADIO REMOTE CONTROL

- Actuate the enabled 200Tx input (from step 3) by shorting the input terminals (a bent paper clip is ideal!). This causes transmission : Note that the 210Rx learn LED will turn off.
- The learn cycle is now complete and the transmitter/encoder will operate the systems.

Erasing the 210Rx Receiver Decoder's Memory

- To completely erase the 210Rx decoder's memory, press and hold the 210Rx learn switch. The learn LED will illuminate when the switch is first pressed
- After a period of 10 seconds the learn LED will turn off. Release the learn button and all the output LEDs will now flash alternately to indicate that all encoder data has been erased.

Note: It is not possible to erase individual transmitters.

Watchdog Mode (200Tx Auto Tx Jumper Link OPT3 connected)

When used in conjunction with one or more 200Tx encoders in watchdog mode, relay 16 on the 210Rx is automatically used as the watchdog channel. With the auto Tx link in place, the unit is in watchdog mode and the input status of enabled inputs is automatically transmitted every 3 - 6 seconds and system integrity is thus continuously verified. For further information see the 200 Series Transmitter Module description, above.

Connecting an Antenna

The 210Rx has a 300mm flying lead cable (50ohm) with a panel mount BNC socket provided to mount on an enclosure. This cable may be extended however please note that typically there is a 50% range reduction with every 3metres of coax cable used!

For increasing range performance a +3dB gain antenna is available. This is supplied with wall mounting bracket and 2metres of coax cable, it plugs in directly to the 210Rx BNC connector.

Range

The antenna choice and position directly controls the system range. Keep it clear of other metal in the system. The best position by far, is protruding from the top of the product. This is often not desirable for practical or ergonomic reasons and thus a compromise may be needed. If an internal antenna must be used then try to keep it away from other metal items, and in particular large ones like transformers, batteries and PCB tracks and earth planes.

Note that the space around the antenna is as important as the antenna itself. All radio systems are dependant on a radio signal being received through airspace.

The range quoted is the optimal in direct line of sight without obstacles and in good atmospheric conditions. Range is affected by many things, e.g. local environmental conditions, atmospheric conditions, interference from other radio transmitters. For evaluating the local environment please see our RF Meter (DS006) In very worse case applications the range quoted may be reduced to 30% of the optimal range stated.

Signal integrity

In systems where many encoders are in close proximity there may be occasions when, due to signal overlay between encoders, it is difficult or impossible to guarantee system integrity. In such circumstances it is the responsibility of the installer to ensure that the system performance is adequate for the purposes of the installation.

Technical Specifications

Dimensions: Within DIN Rail : 157 x 77 mm (PCB: 155 x 72mm)

Storage Temperature; -10 to +70° Celsius. Operating Temperature; 0 to +55° Celsius.

Electrical Characteristics	Min	Typical	Max	Units
Supply Voltage: 12V Supply	10	12	16	V
Supply Voltage: 24V Supply	21	24	30	V
Supply Current : Quiescent		25		mA
Time from Tx Switch depressed to 210Rx output			100	mSecs
Time from Tx Switch release to Decoder output			200	mSecs
Switched output Voltage (I out = 1mA)				



'DIN RAIL' RADIO REMOTE CONTROL

Logic Low	0	0.2	0.8	V
Logic High	3.5	3.8	5	
Switched output Current				
Logic Low				mA
Logic High				

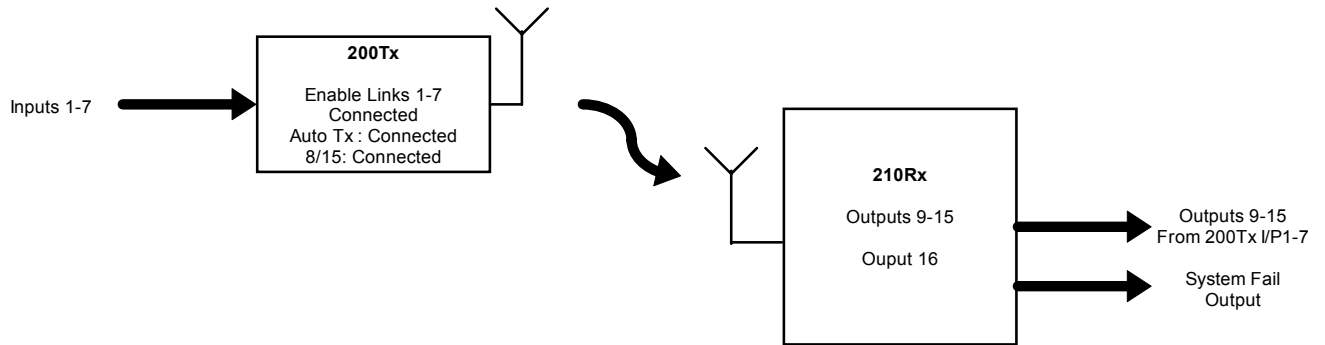
Part Numbering

Part No	Description
210-433R1	Receiver Decoder 16 Channels DIN Rail Mounting Module 433MHz
210-458R1	Receiver Decoder 16 Channels DIN Rail Mounting Module 458MHz
PSU12V1AIN	Power Supply Unit 110-240Vac input, 12V 1A output
ENC	Enclosure UP67, with internal mounting plate and DIN Rail.

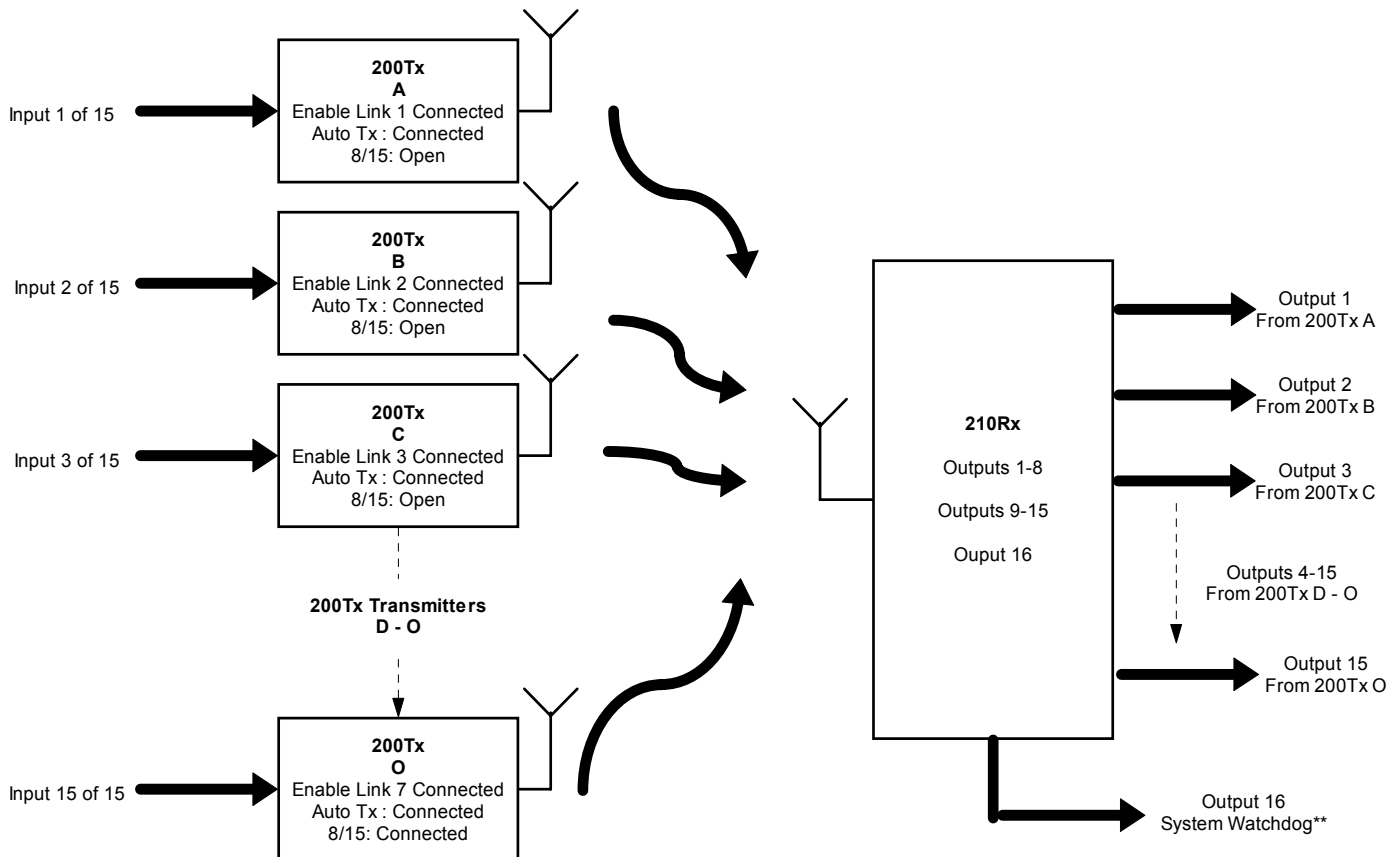


'DIN RAIL' RADIO REMOTE CONTROL

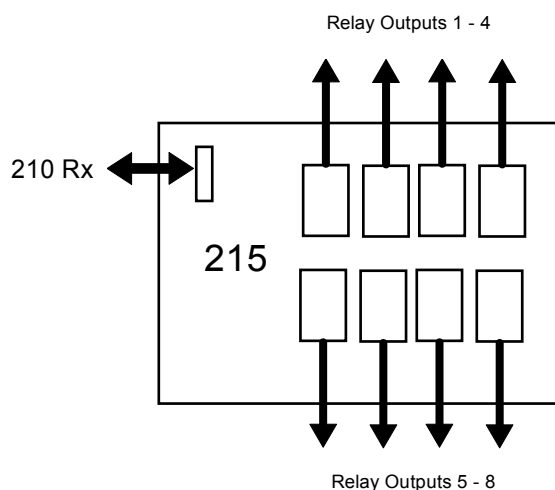
Example of 7 Channel Telemetry system with failsafe



Example of 15 Outstations to single Receiver System



'215' 8 Relay output Module



This DIN Rail module connects directly to any of the 210Rx output connectors and provides;

- 8 relay switches rated 230Vac at 3A

The only connections required are

- Connection to the 210 Receiver via the ribbon cable supplied.
- Connection to each relay via screw terminals provided.

The module requires no other connections as power is supplied from the 210Rx module.

Technical Specifications

Dimensions: Within DIN Rail : 112 x 77 mm (PCB: 108 x 72mm)

Storage Temperature; -10 to +70° Celsius. Operating Temperature; 0 to +55° Celsius.

Electrical Characteristics	Min	Typical	Max	Units
Supply Voltage	From 210Rx module			
Relay output Rating Type HRS1KH3-12	Max rating is 3A/220VAC/30VDC			

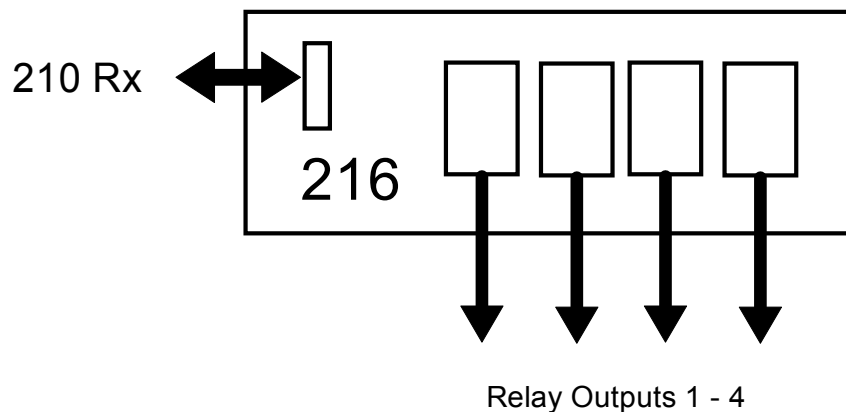
Part Numbering

Part No	Description
215R1	Receiver Decoder Module with 8 relay outputs



'DIN RAIL' RADIO REMOTE CONTROL

'216' 4 Relay output Module



This DIN Rail module connects directly to the 210Rx and provides four relay outputs rated at 230Vac providing 12A peak and 5A continuous current rating. The only connections required are

- Connection to the 210 Receiver via the ribbon cable supplied.
- Connection to each relay output via screw terminals provided.

The module requires no other connections as power is supplied from the 210Rx module.

Technical Specifications

Dimensions: Within DIN Rail : 135 x 77 mm (PCB: 132 x 72mm)

Storage Temperature; -10 to +70° Celsius. Operating Temperature; 0 to +55° Celsius.

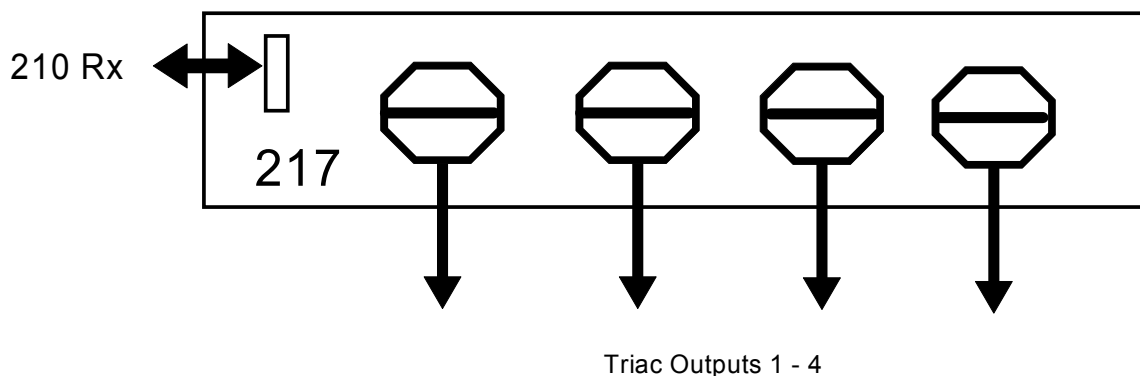
Electrical Characteristics	Min	Typical	Max	Units
Supply Voltage	From 210Rx module			
Relay output Rating (type KB12) at 230Vac		5	12	A

Part Numbering

Part No	Description
216R1	Receiver Decoder Module with 8 relay outputs

'DIN RAIL' RADIO REMOTE CONTROL

'217' Triac Dimming output Module



This DIN Rail module provides four dimming outputs rated 240 Vac at 2.5A continuous.

Connection to the 210Rx module is by the lead supplied.

This module may be connected to any of the 210 receiver's output plugs (marked as 1 – 4). However please note that the relevant 210 receiver outputs must be set to momentary operation without any time delay. Outputs may be controlled as latching, on / off or dimmed.

The module requires no other connections as power is supplied from the 210Rx module

Operation of the outputs.

To switch the output on or off, press the transmitter switch briefly.

To dim the output, press and hold the transmitter switch. The output will dim up then down and continue this cycle until the user removes their finger from the switch.

Warning!

The unit is designed to be a fixed installation, which may be connected to a mains supply. Before removing any cover ensure that the mains input supply is removed. Any installation and or operation of this product should only be carried out by a competent person or qualified electrician.

Part Numbering

Part No	Description
217R1	Phase Control Output Module; Dimming or Switched outputs 4 channels

For more information or general enquiries, please contact

**Finchdata Ltd Grove House Lutyens Road
Basingstoke RG24 8AG.**

Email :sales@Qradio.co.uk <http://www.Qradio.co.uk>

Tel: +44 (0)870 746 0895 Fax: +44 (0)870 131 7493

Finchdata Ltd is a trading partner of Rf solutions Ltd.